



**DAVINCI FACADE**  
DESIGN & DRAFTING

ARCH:

GC:

Date

REVISIONS

No.

PROJECT:

LOCATION:

SHEET NAME:

Date: 12-02-2021

Drawn By:

SHEET NUMBER:

T

Scale

Drawing Time Stamp

**SCOPE OF WORK:**

**SHEET INDEX**

**METAL SIDING VERTICAL**

MANUFACTURER	
COLOR	
SYSTEM	
PANELS THICKNESS	
WALL BUILD OUT	
AVAILABLE LENGHTS	

T	TITLE SHEET
100	FLOOR PLAN
200	ELEVATION
201	ELEVATION
202	ELEVATION
203	ELEVATION
300	DETAILS
301	DETAILS
302	DETAILS
303	DETAILS

**METAL SIDING VERTICAL ROOF SCREEN**

MANUFACTURER	
COLOR	
SYSTEM	
PANELS THICKNESS	
WALL BUILD OUT	
AVAILABLE LENGHTS	

**METAL SIDING HORIZONTAL**

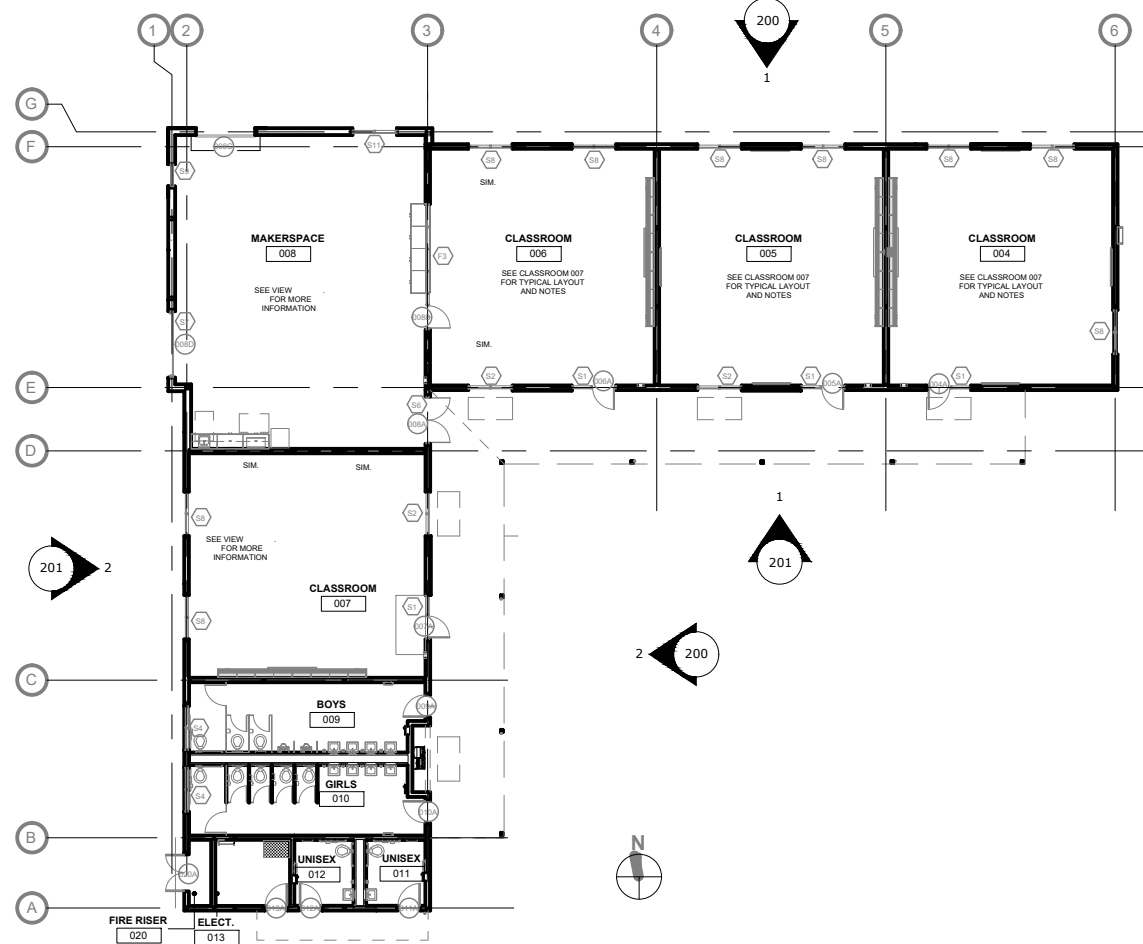
MANUFACTURER	
COLOR	
SYSTEM	
LENGHT	

**EXTERIOR FINISH & SYMBOLS CONVENTION**

- FLEX METAL SIDING VERTICAL
- FLEX METAL SIDING VERTICAL ROOF SCREEN
- LONGBOARD METAL SIDING HORIZONTAL

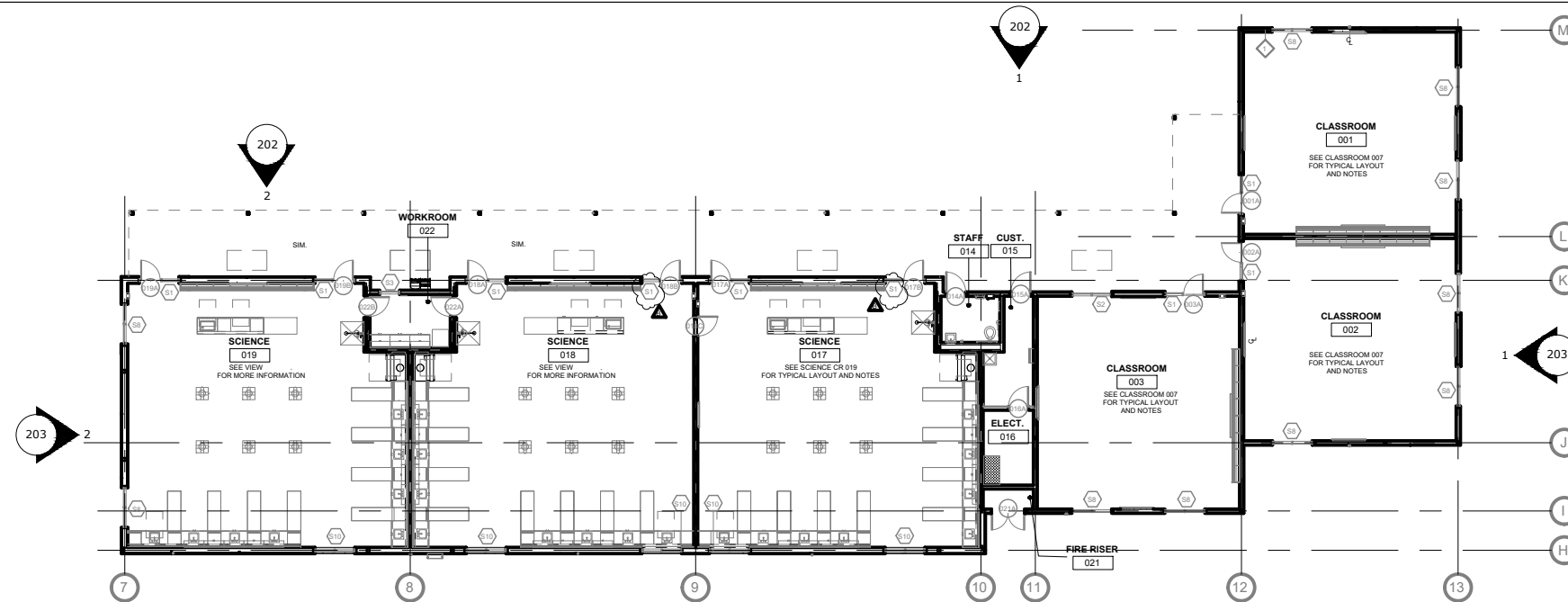


**DAVINCI FACADE**  
DESIGN & DRAFTING



**1 FLOOR PLAN - NORTH BUILDING**

Arch. Ref: 1/A3.01



**2 FLOOR PLAN - SOUTH BUILDING**

Arch. Ref: 2/A3.01

ARCH:

GC:

Date

REVISIONS

No.

PROJECT:

LOCATION:

SHEET NAME:

**FLOOR PLAN**

Date: 12-02-2021

Drawn By:

SHEET NUMBER:

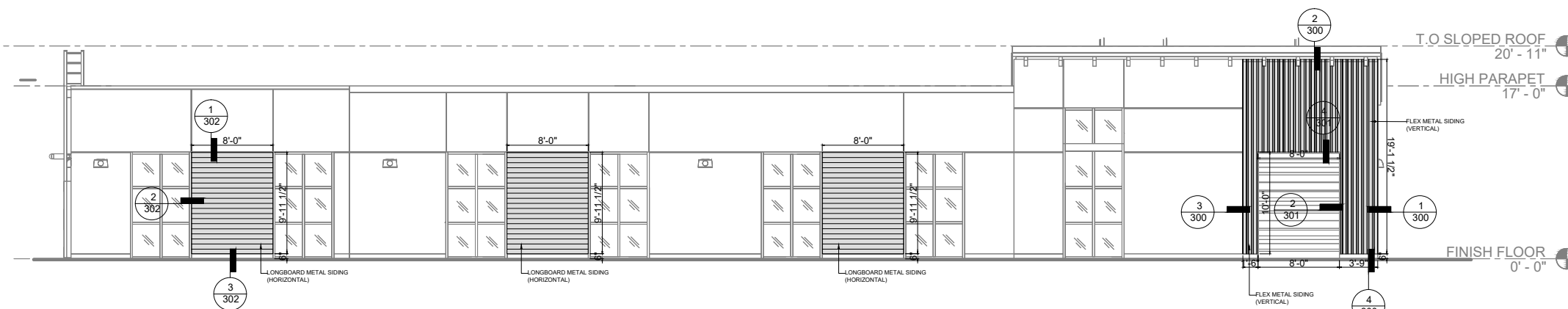
100

Scale

Drawing Time Stamp

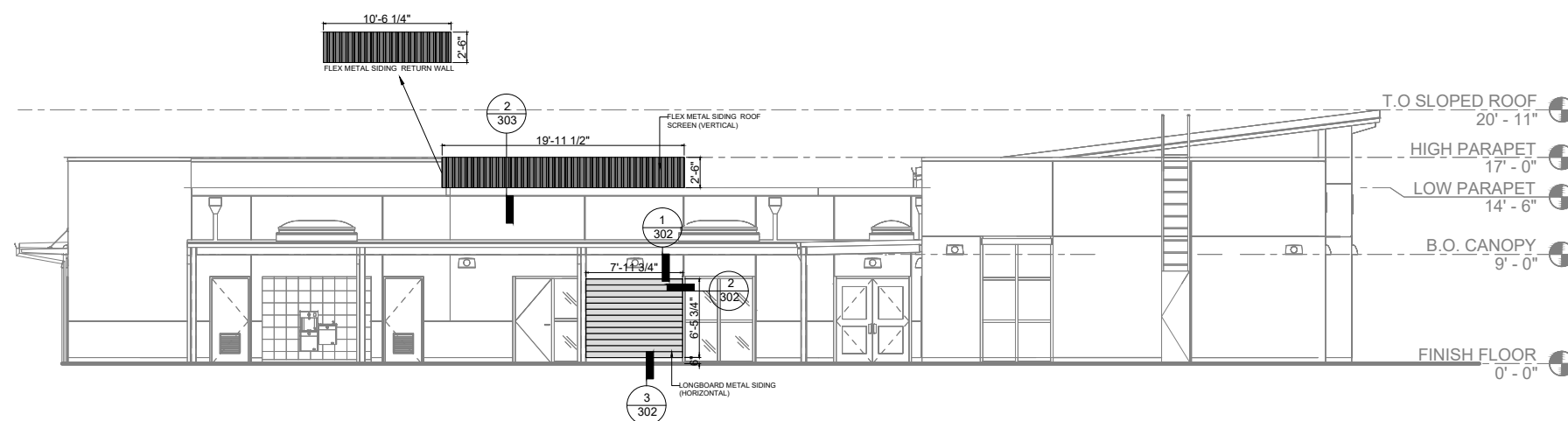


**DAVINCI FACADE**  
DESIGN & DRAFTING



**1 NORTH BUILDING - NORTH ELEVATION**

Arch. Ref: 1/A6.01



**2 NORTH BUILDING - EAST ELEVATION**

Arch. Ref: 2/A6.01

ARCH:

GC:

Date

REVISIONS

No.

PROJECT:

LOCATION:

SHEET NAME:

**ELEVATIONS**

Date: 12-02-2021

Drawn By:

SHEET NUMBER:

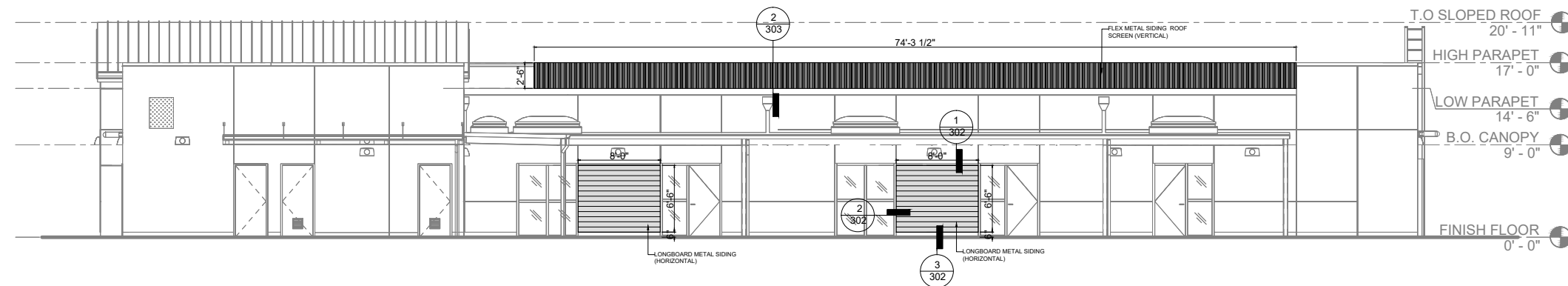
200

Scale

Drawing Time Stamp

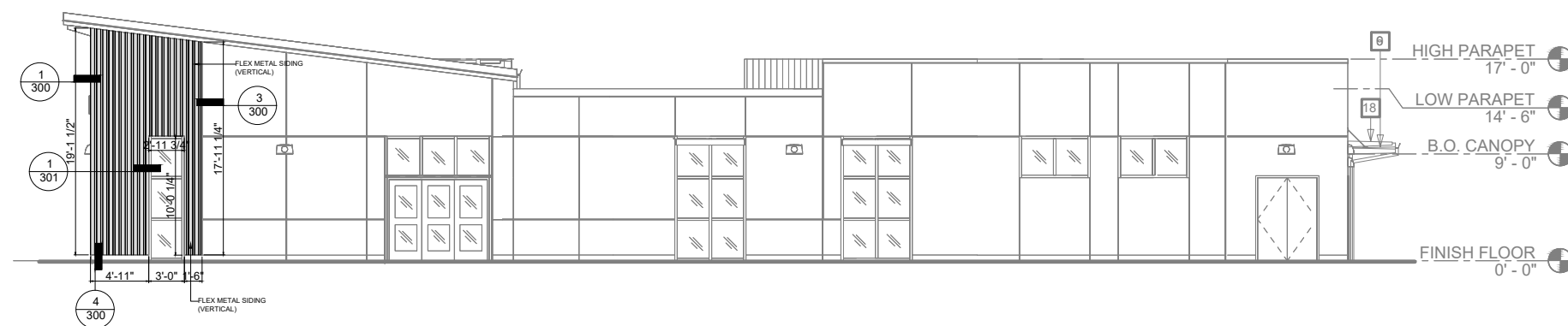


**DAVINCI FACADE**  
DESIGN & DRAFTING



**1 NORTH BUILDING - SOUTH ELEVATION**

Arch. Ref: 3/A6.01



**2 NORTH BUILDING - WEST ELEVATION**

Arch. Ref: 4/A6.01

ARCH:

GC:

Date

REVISIONS

No.

PROJECT:

LOCATION:

SHEET NAME:

**ELEVATIONS**

Date: 12-02-2021

Drawn By:

SHEET NUMBER:

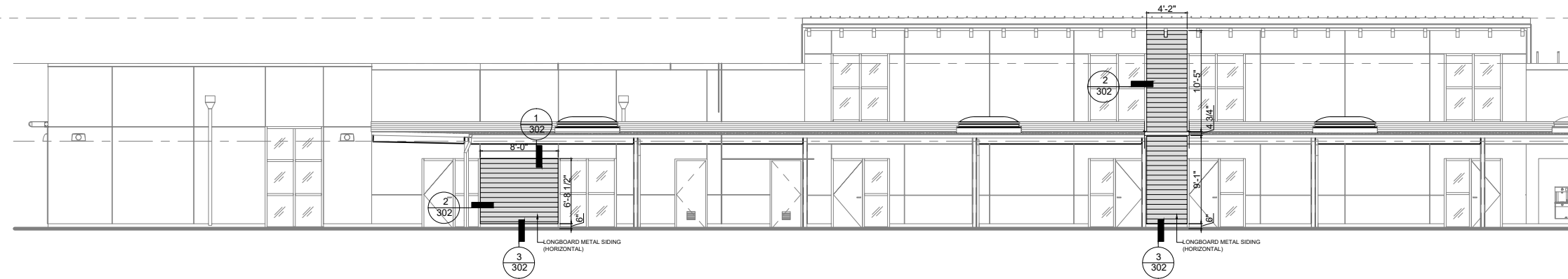
201

Scale

Drawing Time Stamp



**DAVINCI FACADE**  
DESIGN & DRAFTING



**1 SOUTH BUILDING - NORTH ELEVATION / 1**

Arch. Ref: 5/A6.01

ARCH: GC:

Date	REVISIONS	No.

PROJECT: LOCATION:

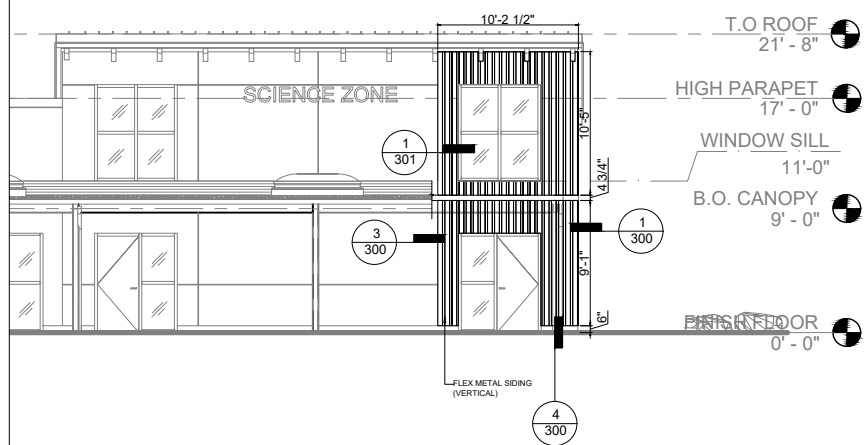
SHEET NAME:  
**ELEVATIONS**

Date: 12-02-2021

Drawn By:

SHEET NUMBER:  
202

Scale:



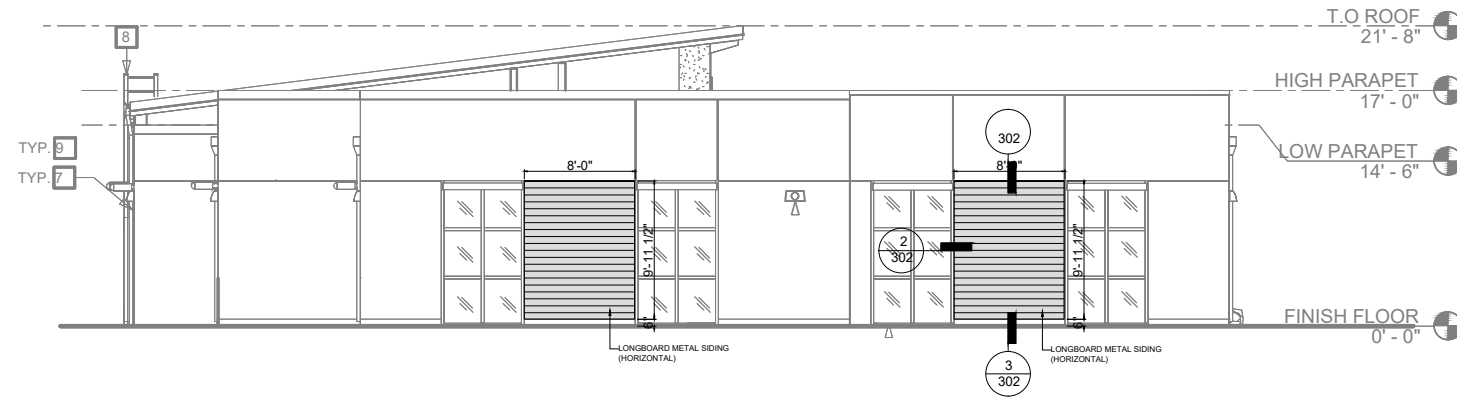
**2 SOUTH BUILDING - NORTH ELEVATION / 2**

Arch. Ref: 5/A6.01

Drawing Time Stamp

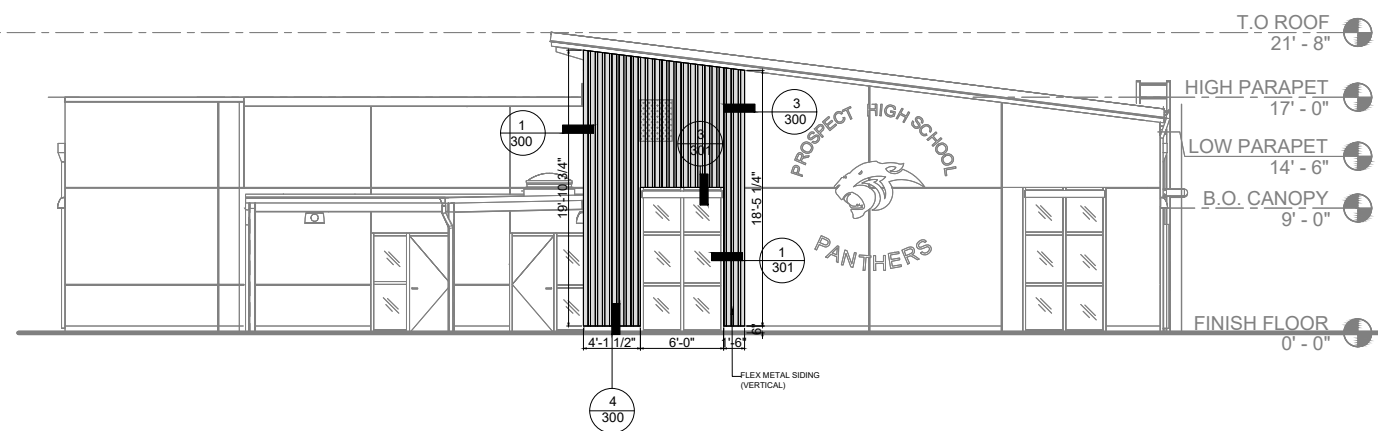


**DAVINCI FACADE**  
DESIGN & DRAFTING



# 1 SOUTH BUILDING - EAST ELEVATION

Arch. Ref: 6/A6.01



# 2 SOUTH BUILDING - WEST ELEVATION

Arch. Ref: 8/A6.01

ARCH:

GC:

Date

REVISIONS

No.

PROJECT:

LOCATION:

SHEET NAME:

**ELEVATIONS**

Date: 12-02-2021

Drawn By:

SHEET NUMBER:

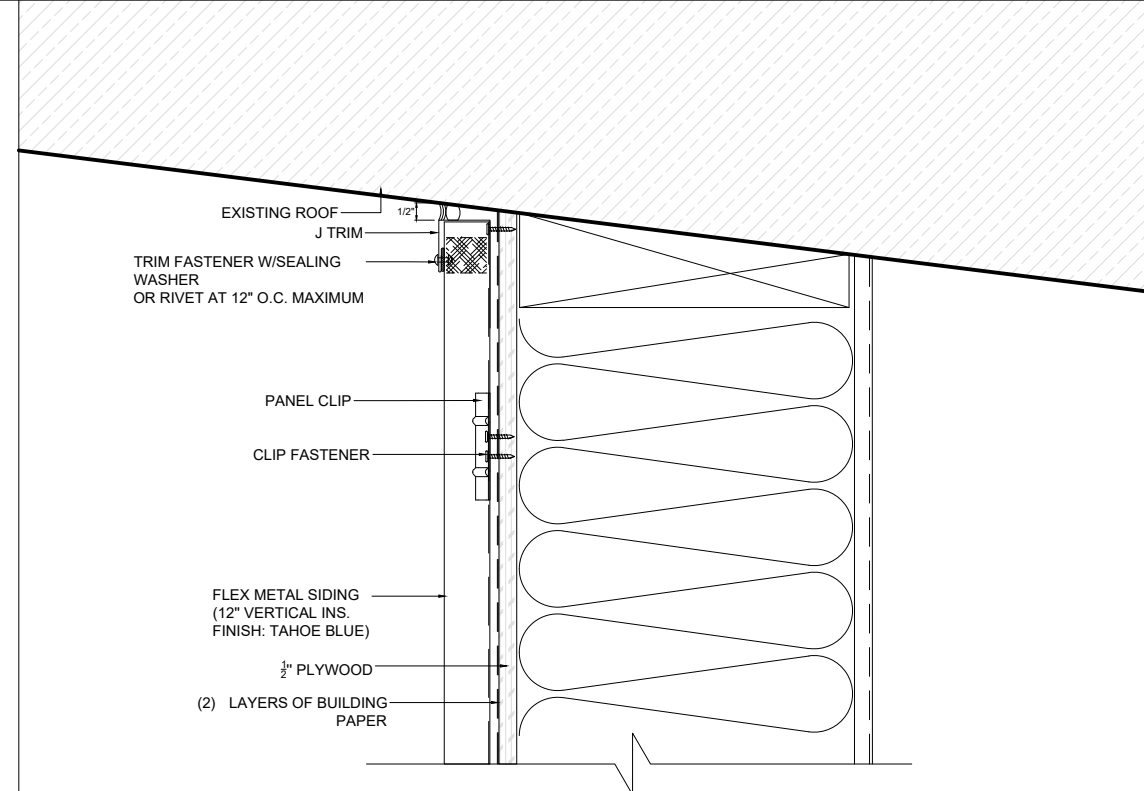
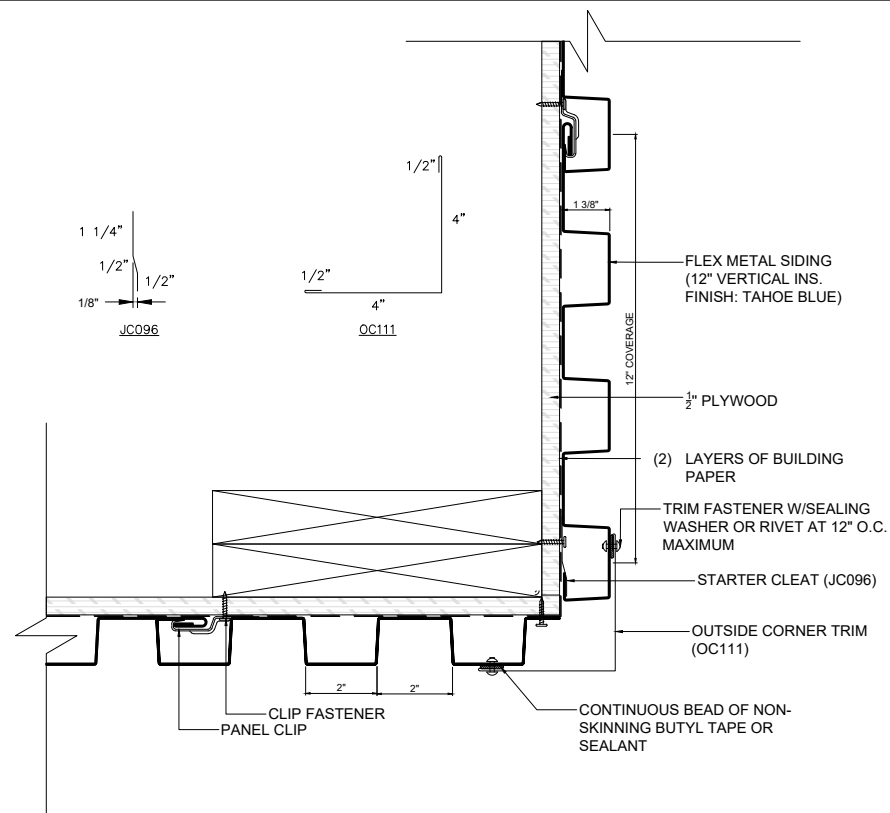
203

Scale

Drawing Time Stamp

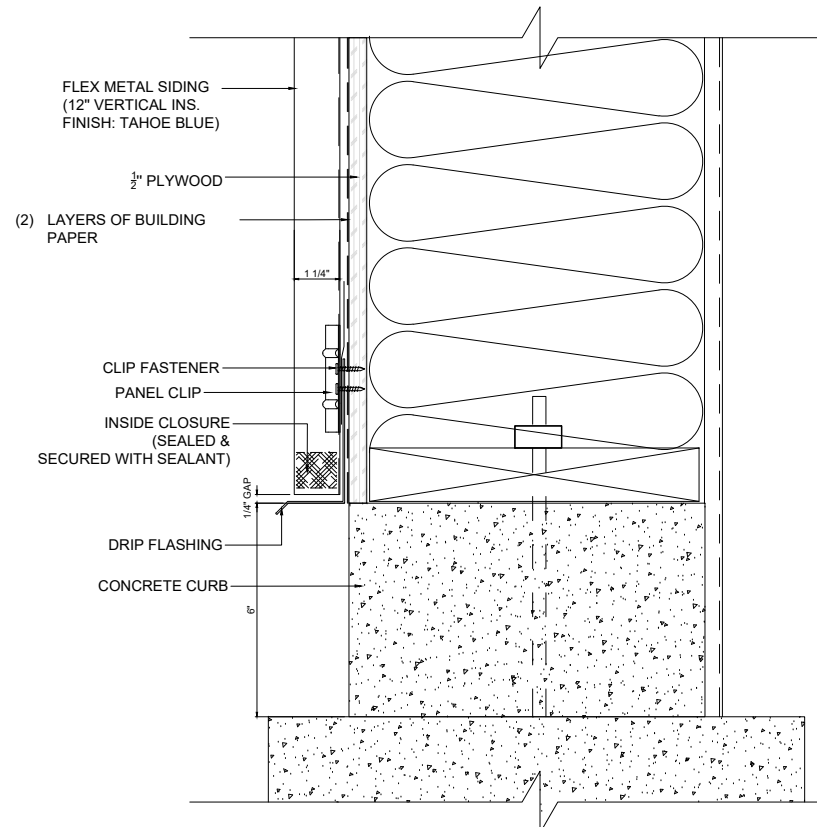
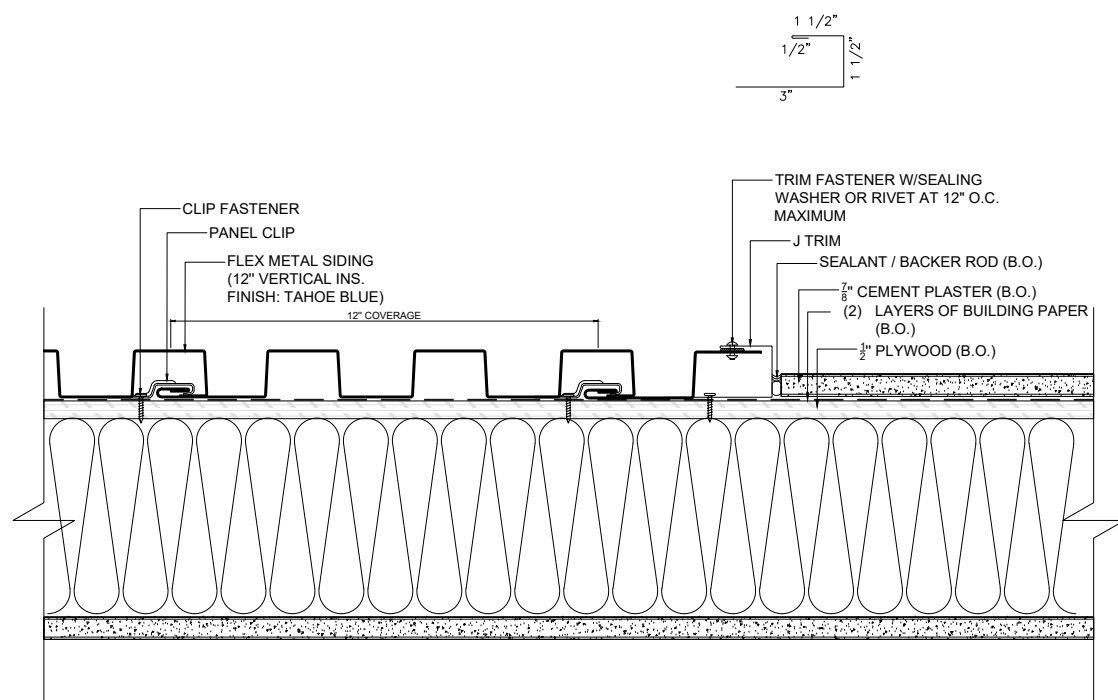


**DAVINCI FACADE**  
DESIGN & DRAFTING



1 FLEX METAL SIDING OUTSIDE CORNER DETAIL

2 FLEX METAL SIDING HEAD DETAIL



3 FLEX METAL SIDING-CEMENT PLASTER TRANSITION

4 FLEX METAL SIDING BASE DETAIL

ARCH:

GC:

Date

REVISIONS

No.

PROJECT:

LOCATION:

SHEET NAME:

**DETAILS**

Date: 12-02-2021

Drawn By:

SHEET NUMBER:

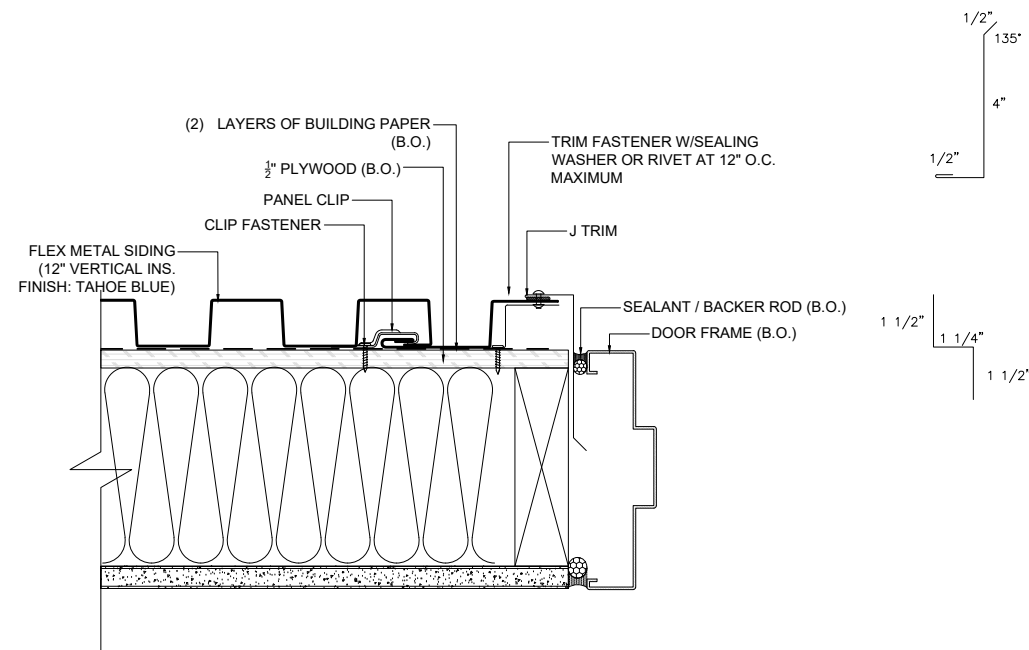
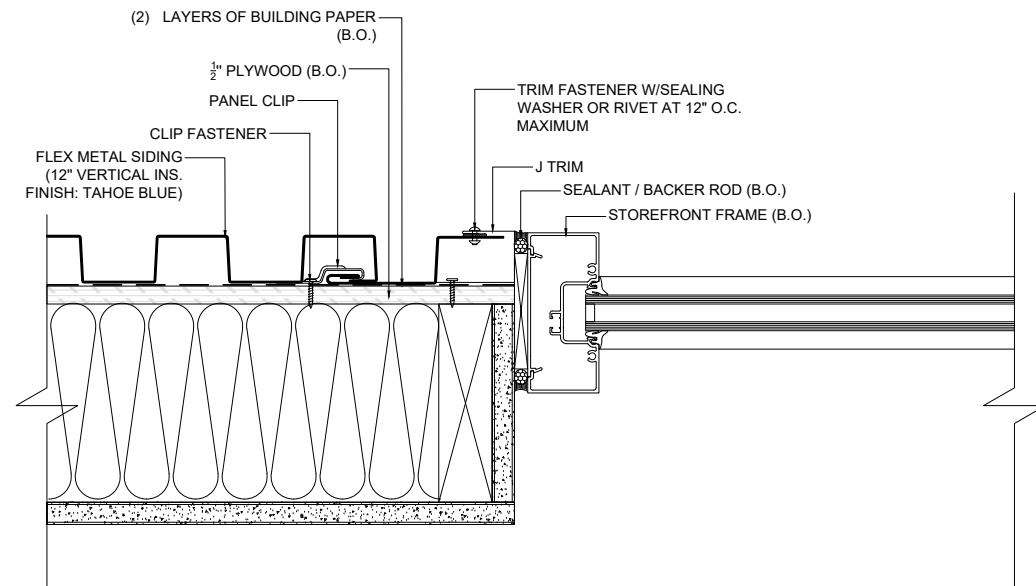
300

Scale

Drawing Time Stamp

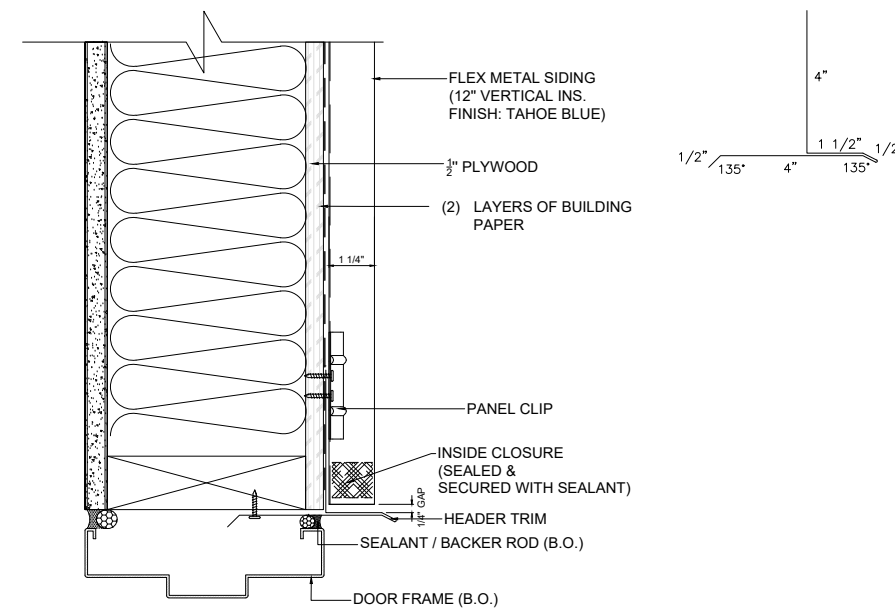
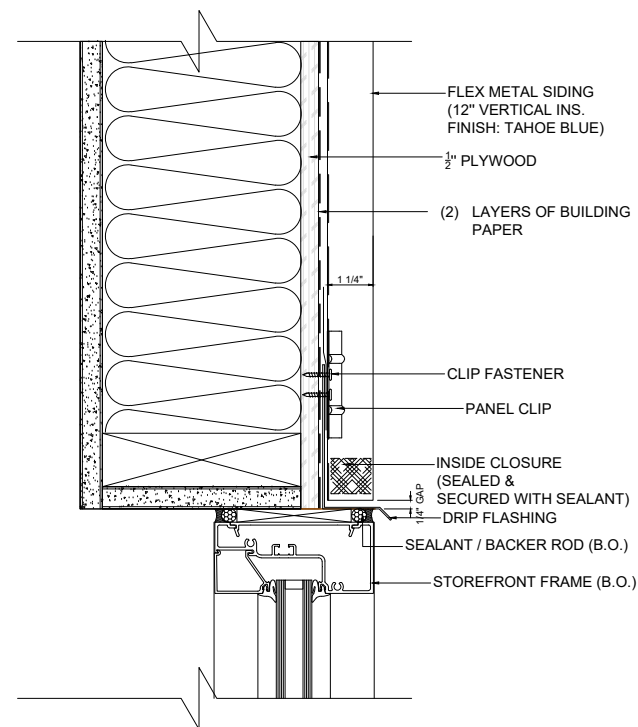


**DAVINCI FACADE**  
DESIGN & DRAFTING



1 FLEX METAL SIDING-STOREFRONT TRANSITION

2 FLEX METAL SIDING-DOOR TRANSITION



3 FLEX METAL SIDING-STOREFRONT TRANSITION

4 FLEX METAL SIDING-DOOR TRANSITION

ARCH:

GC:

Date

REVISIONS

No.

PROJECT:

LOCATION:

SHEET NAME:

**DETAILS**

Date: 12-02-2021

Drawn By:

SHEET NUMBER:

301

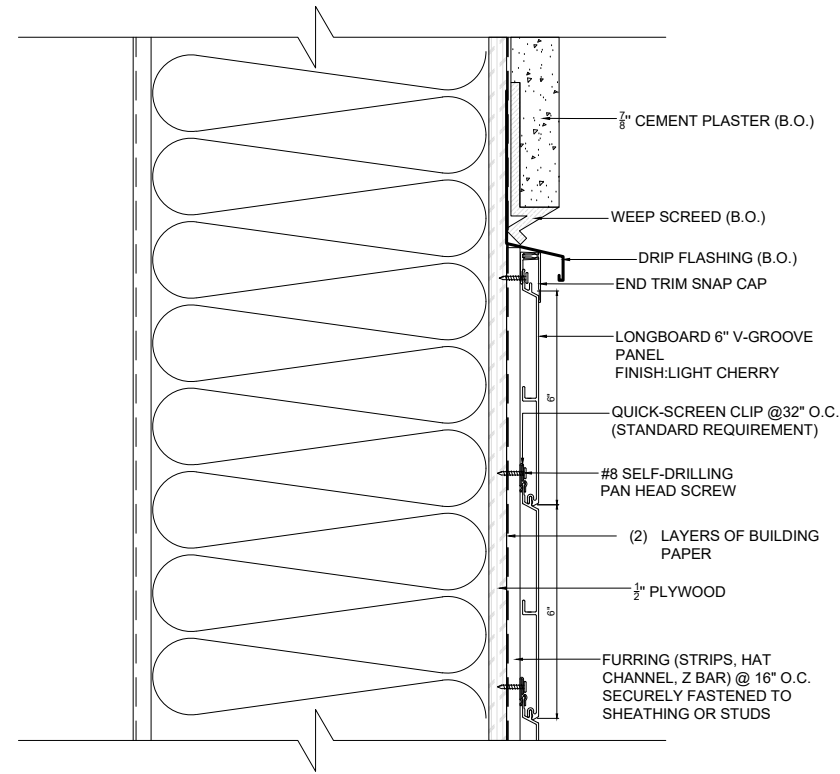
Scale

Drawing Time Stamp

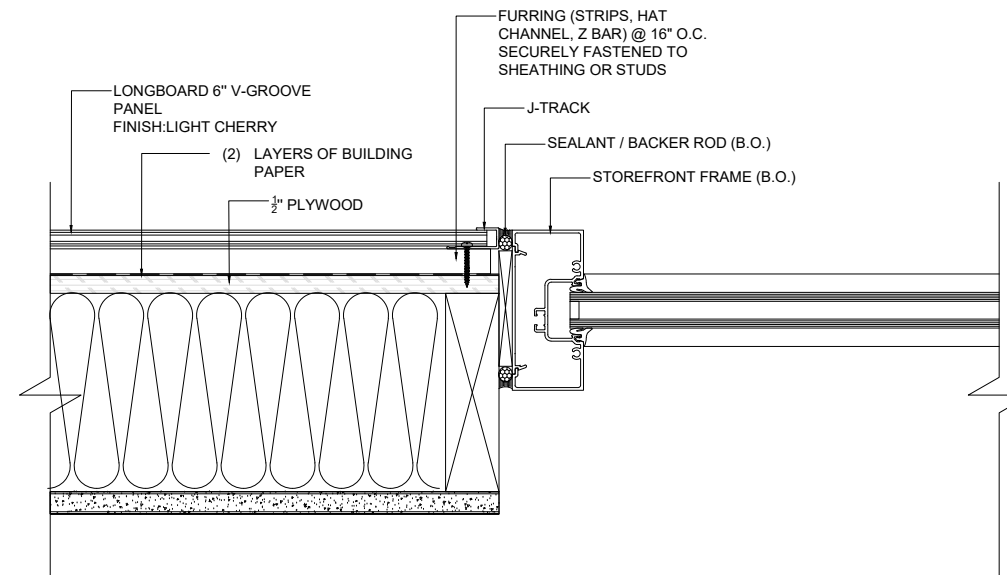




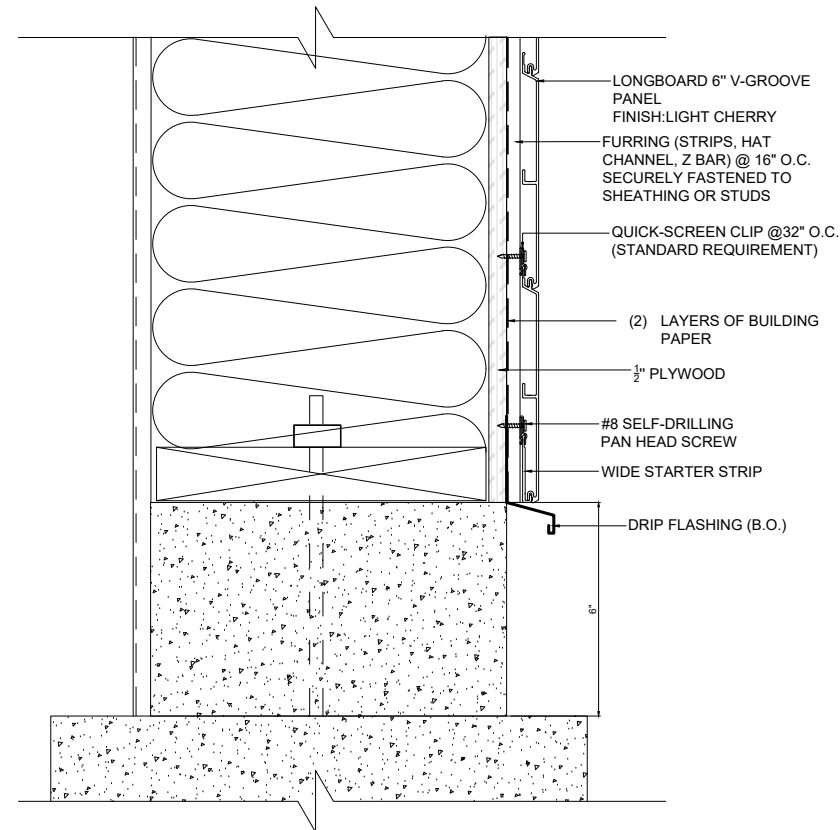
**DAVINCI FACADE**  
DESIGN & DRAFTING



**1 LONGBOARD PANEL HEAD DETAIL**



**2 LONGBOARD PANEL-STOREFRONT TRANSITION**



**3 LONGBOARD PANEL BASE DETAIL**

ARCH:

GC:

Date

REVISIONS

No.

PROJECT:

LOCATION:

SHEET NAME:

**DETAILS**

Date: 12-02-2021

Drawn By:

SHEET NUMBER:

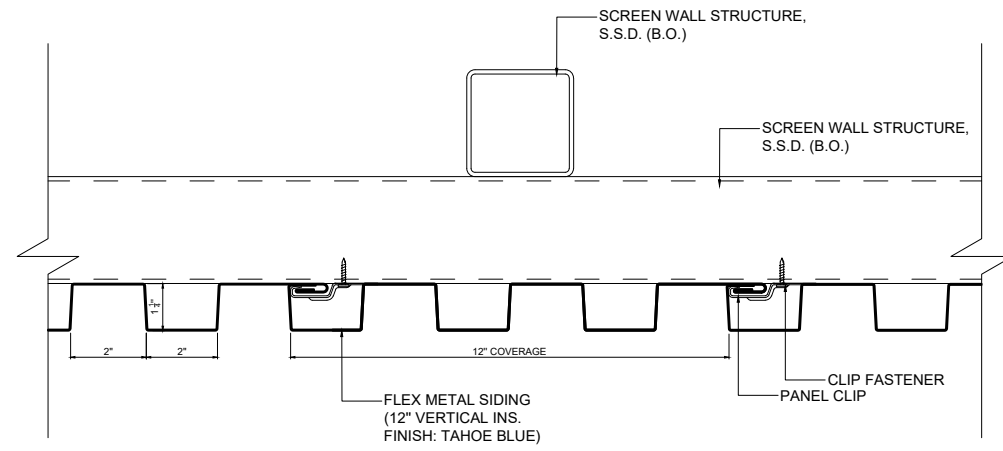
**302**

Scale

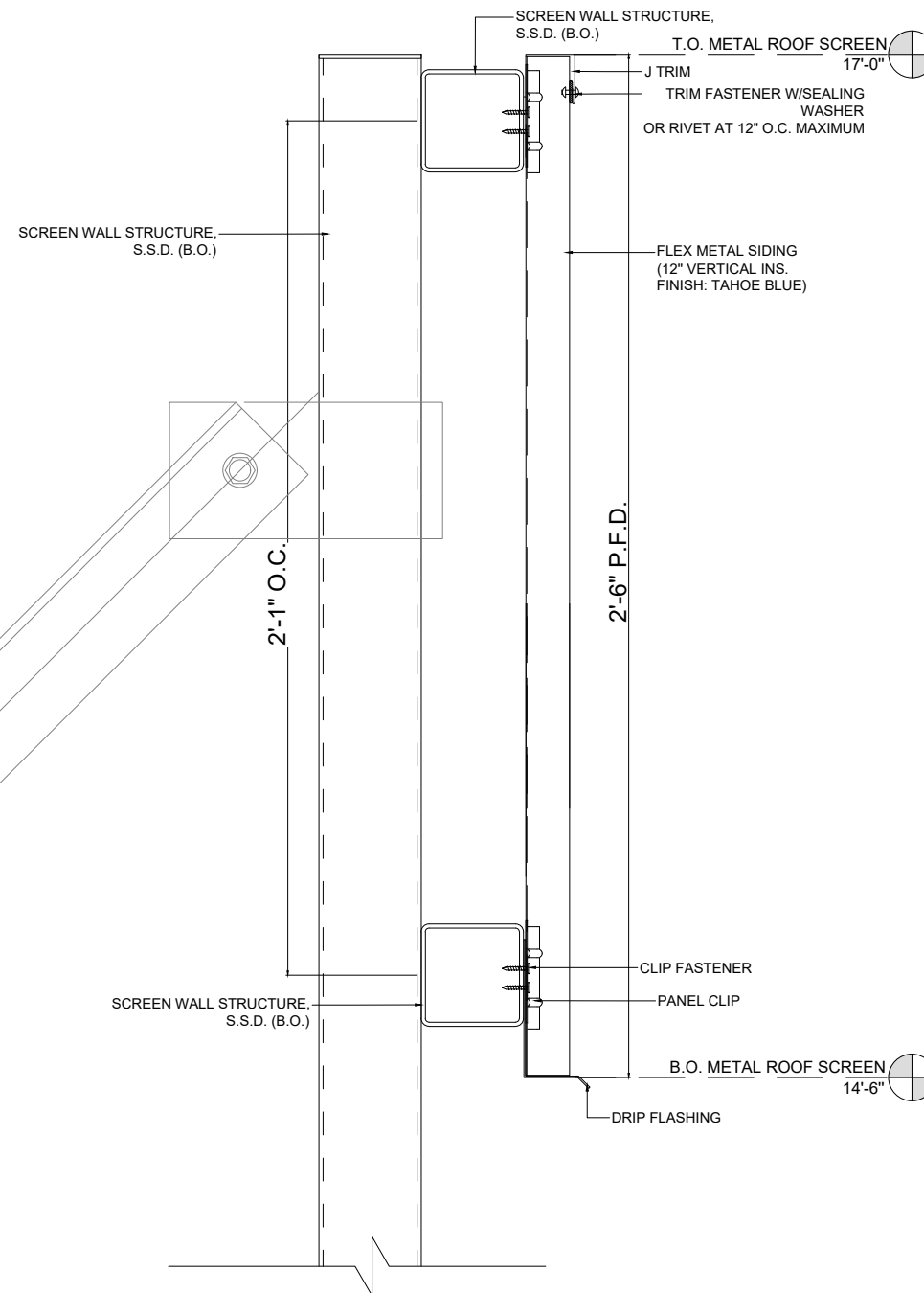
Drawing Time Stamp



**DAVINCI FACADE**  
DESIGN & DRAFTING



**1 FLEX METAL SIDING ROOF SCREEN PLAN DETAIL**



**2 FLEX METAL SIDING ROOF SCREEN SECTION DETAIL**

ARCH:

GC:

Date

REVISIONS

No.

PROJECT:

LOCATION:

SHEET NAME:

**DETAILS**

Date: 12-02-2021

Drawn By:

SHEET NUMBER:

**303**

Scale

Drawing Time Stamp